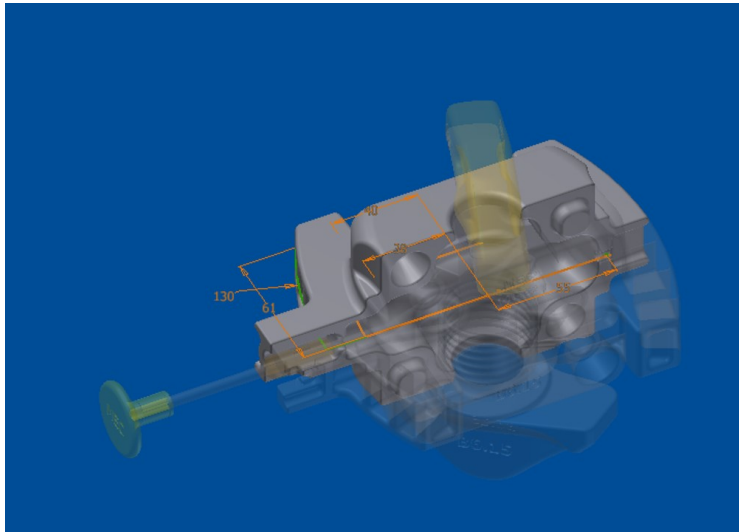


Development and Modification



Developing new and improving our existing products are key cornerstones of our daily business. All components are developed and tested by MEC engineers using the latest software and FEM programs (Finite Element Method). This qualifies MEC to develop weight-optimized products. Further, in cooperation with a well-known German university, MEC is working on an innovative and weight-optimized design for container lashing bridges.