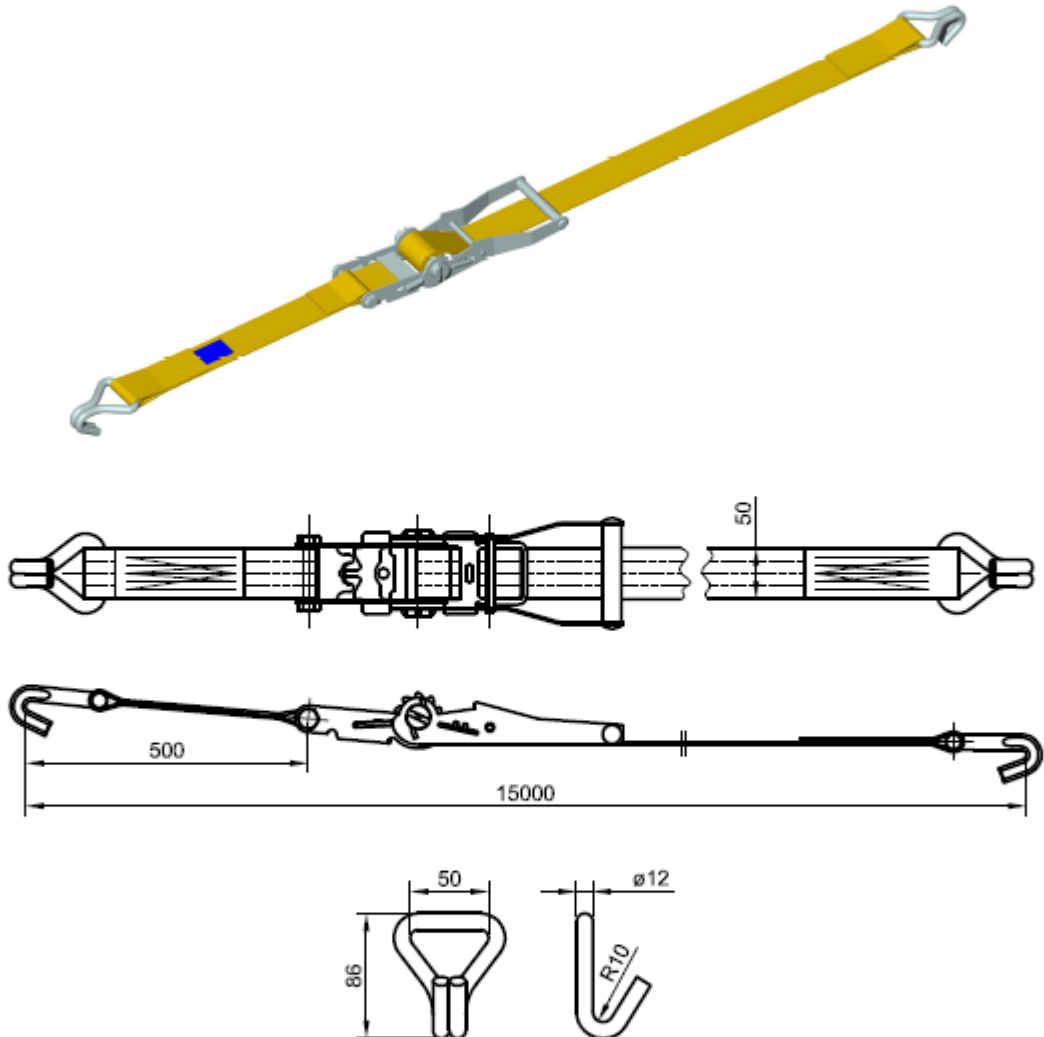


Truck Lashings

Web Lashing

Type: W-5-15
BL 5.000 daN / MSL 2.500 daN



Scope of Application

For the lashing of vehicles and goods on board of RO-RO vessels and ferrys.

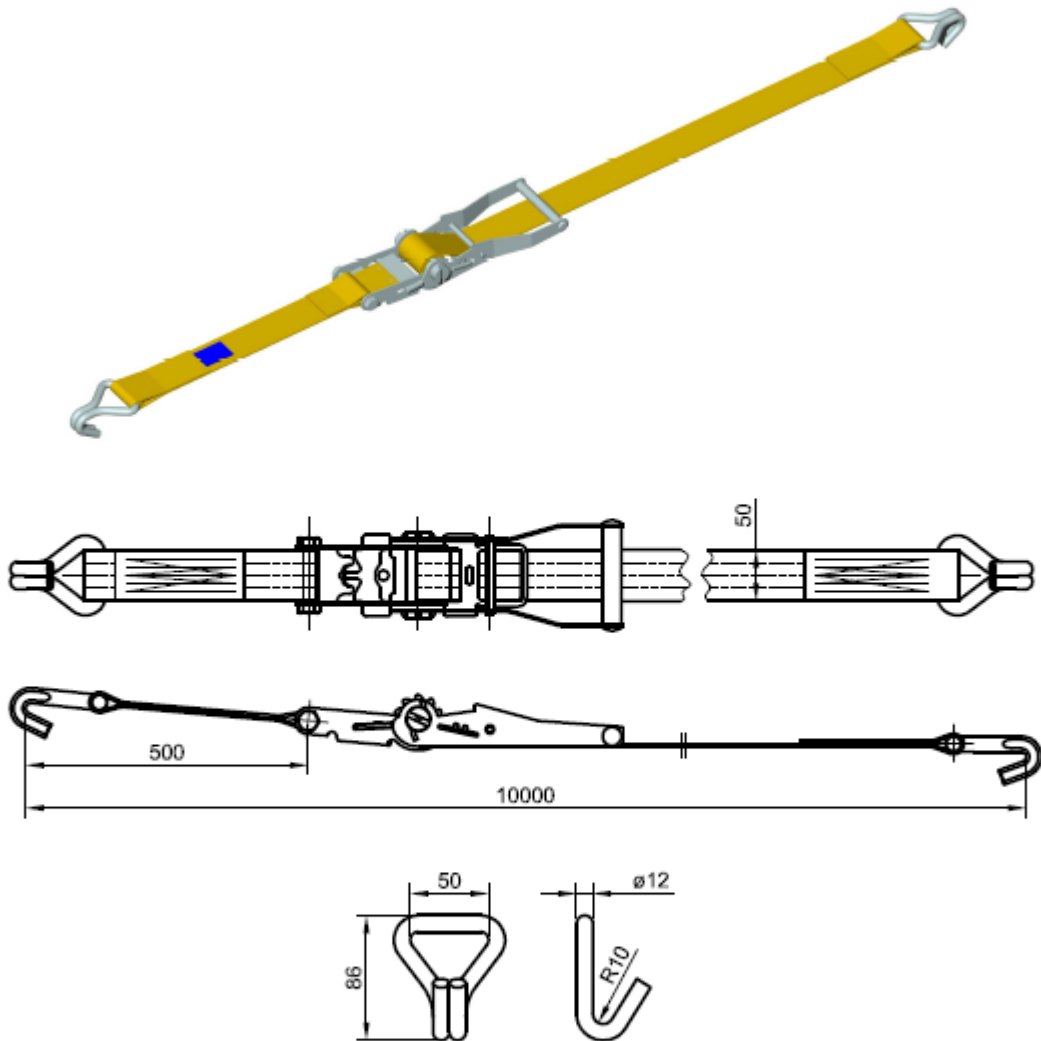
General Data

Min. BL: 5.000 daN
MSL: 2.500 daN
Length: 15,0 m
Web Width: 50 mm
Material: Polyester / Steel
Color: Yellow
Weight: 9,5 kg

MEC[®]
RORO

Web Lashing

Type: W-5-10
BL 5.000 daN / MSL 2.500 daN



Scope of Application

For the lashing of vehicles and goods on board of RO-RO vessels and ferries.

General Data

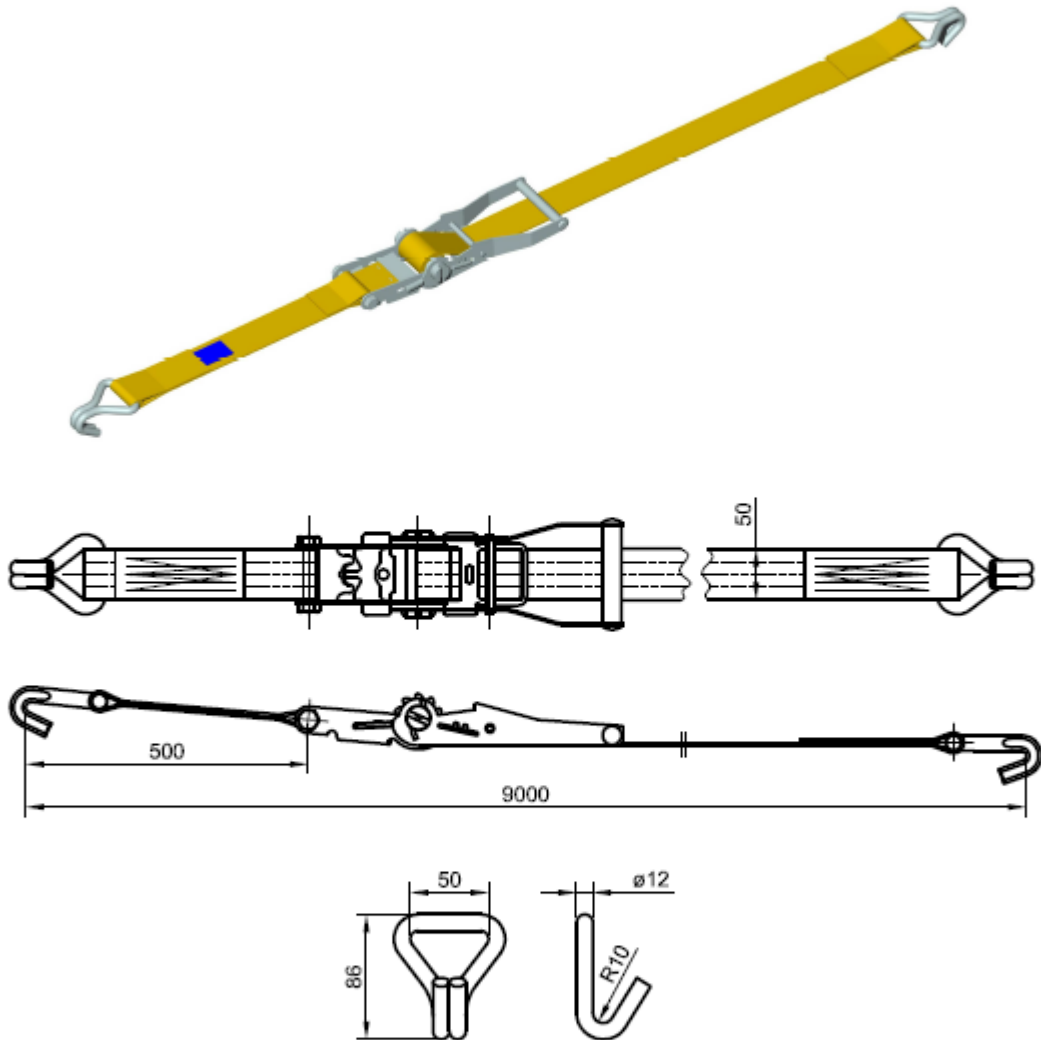
Min. BL:	5.000 daN
MSL:	2.500 daN
Length:	10,0 m
Web Width:	50 mm
Material:	Polyester / Steel
Color:	Yellow
Weight:	4,0 kg

MEC[®]
RORO

MEC Container Safety Systems GmbH
Friesenweg 4, Haus 4 - 22763 Hamburg - www.mec-seafastening.com - info@mec-lashing.de

Web Lashing

Type: W-5-9
BL 5.000 daN / MSL 2.500 daN



Scope of Application

For the lashing of vehicles and goods on board of RO-RO vessels and ferries.

General Data

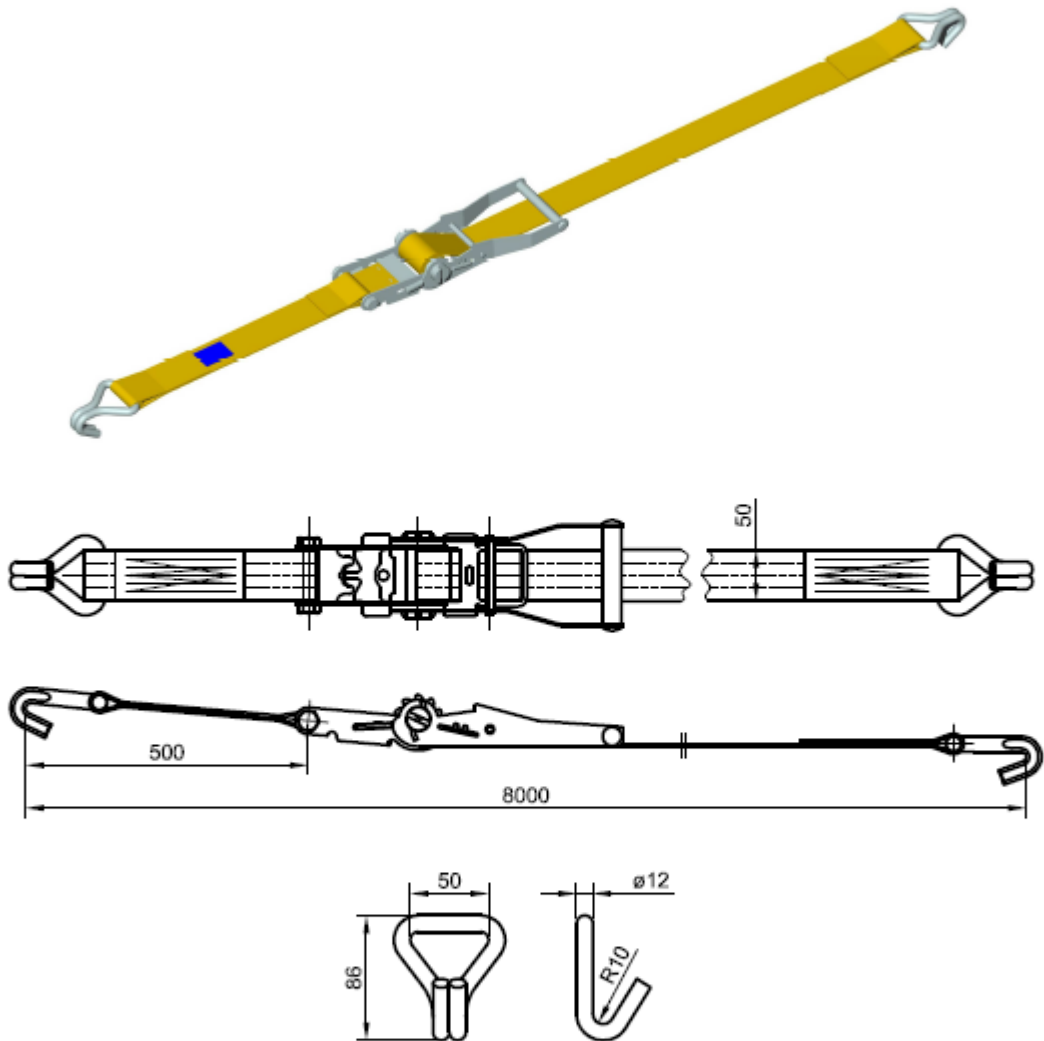
Min. BL: 5.000 daN
MSL: 2.500 daN
Length: 9,0 m
Web Width: 50 mm
Material: Polyester / Steel
Color: Yellow
Weight: 3,8 kg

MEC
RORO

MEC Container Safety Systems GmbH
Friesenweg 4, Haus 4 - 22763 Hamburg - www.mec-seafastening.com - info@mec-lashing.de

Web Lashing

Type: W-5-8
BL 5.000 daN / MSL 2.500 daN



Scope of Application

For the lashing of vehicles and goods on board of RO-RO vessels and ferries.

General Data

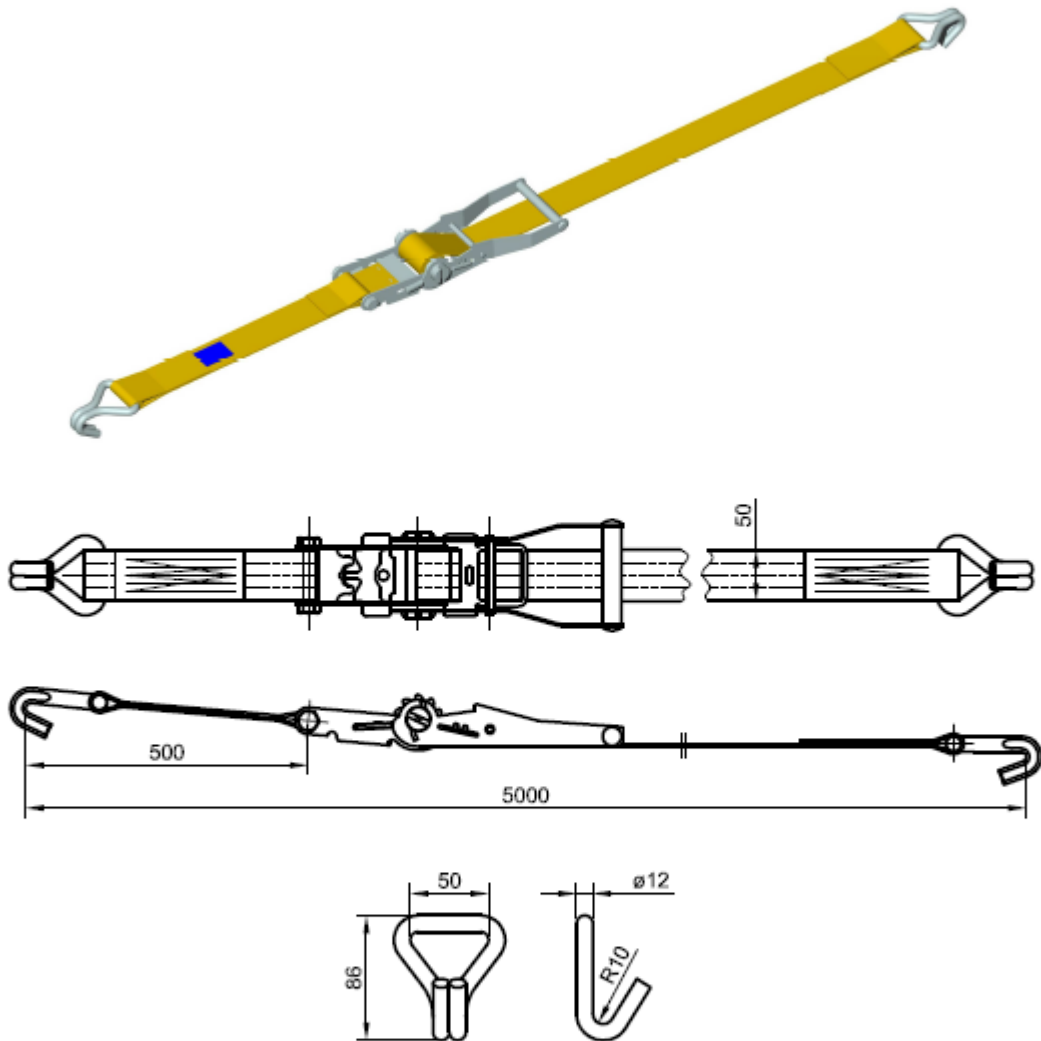
Min. BL: 5.000 daN
MSL: 2.500 daN
Length: 8,0 m
Web Width: 50 mm
Material: Polyester / Steel
Color: Yellow
Weight: 3,7 kg

MEC
RORO

MEC Container Safety Systems GmbH
Friesenweg 4, Haus 4 - 22763 Hamburg - www.mec-seafastening.com - info@mec-lashing.de

Web Lashing

Type: W-5-5
BL 5.000 daN / MSL 2.500 daN



Scope of Application

For the lashing of vehicles and goods on board of RO-RO vessels and ferries.

General Data

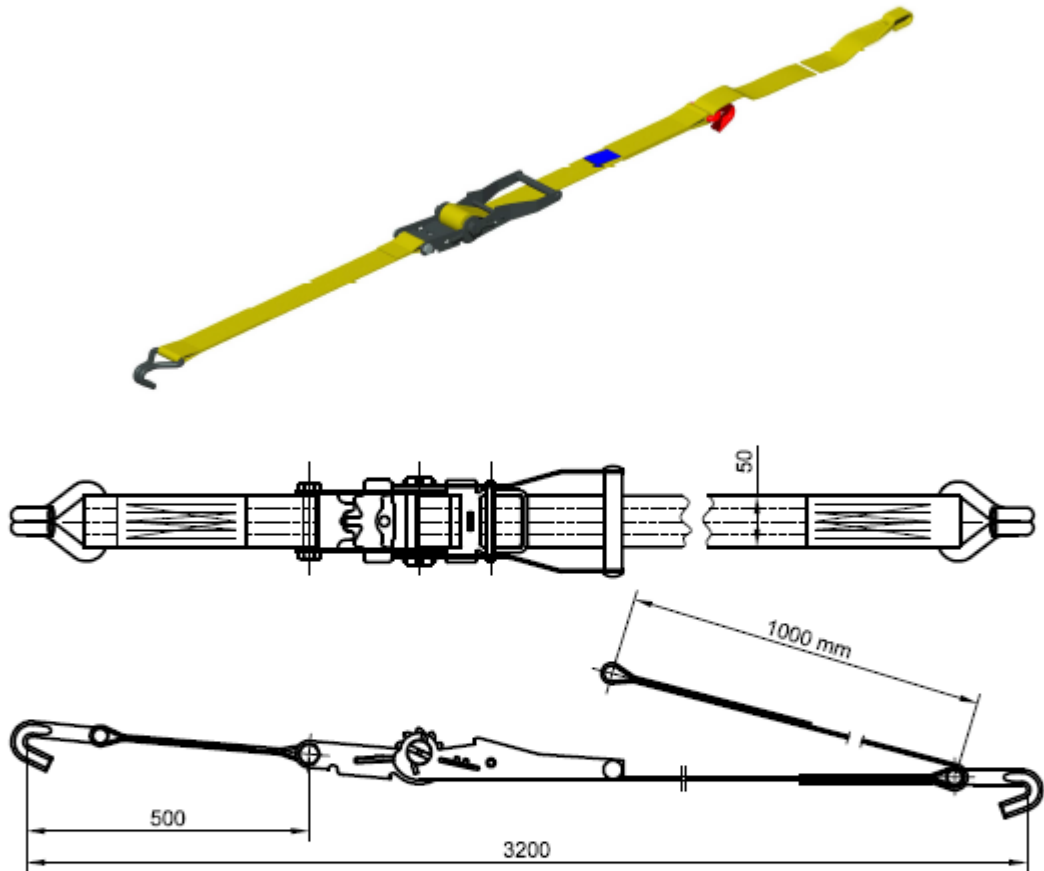
Min. BL:	5.000 daN
MSL:	2.500 daN
Length:	5,0 m
Web Width:	50 mm
Material:	Polyester / Steel
Color:	Yellow
Weight:	3,2 kg



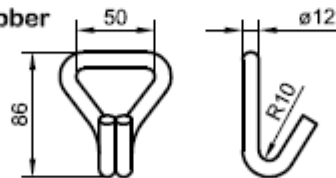
MEC Container Safety Systems GmbH
Friesenweg 4, Haus 4 - 22763 Hamburg - www.mec-seafastening.com - info@mec-lashing.de

Web Lashing with Loop

Type: W-5-3,2-L
BL 5.000 daN / MSL 2.500 daN



Hooks covered with rubber



Scope of Application

For the lashing of vehicles and goods on board of RO-RO vessels and ferries.

General Data

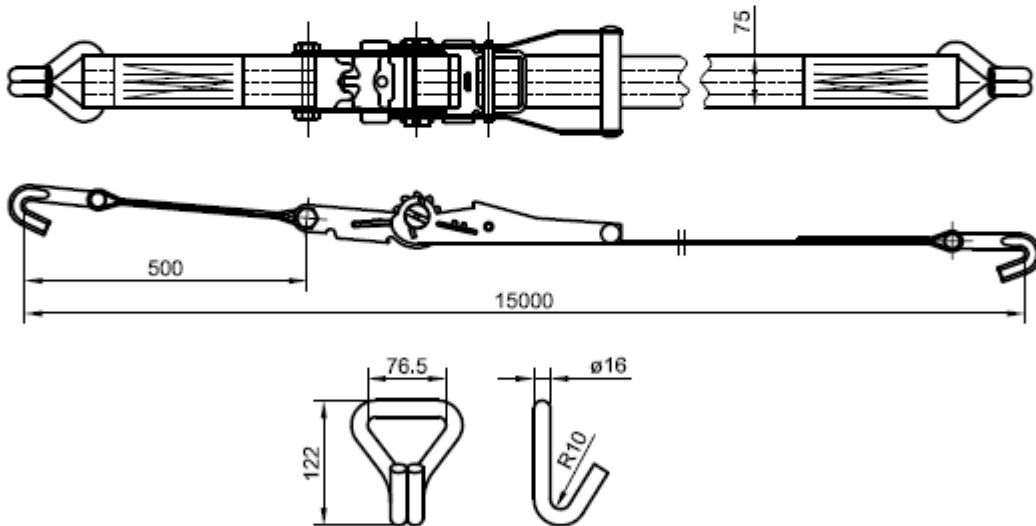
Min. BL:	5.000 daN
MSL:	2.500 daN
Length:	3200 mm
	Loop 1.000 mm
Web Width:	50 mm
Material:	Polyester / Steel
Color:	Yellow
Weight:	2,5 kg

MEC
RORO

MEC Container Safety Systems GmbH
Friesenweg 4, Haus 4 - 22763 Hamburg - www.mec-seafastening.com - info@mec-lashing.de

Web Lashing

Type: W-10-15
BL 10.000 daN / MSL 5.000 daN



Scope of Application

For the lashing of heavy duty vehicles on board of RO-RO vessels and ferries.

General Data

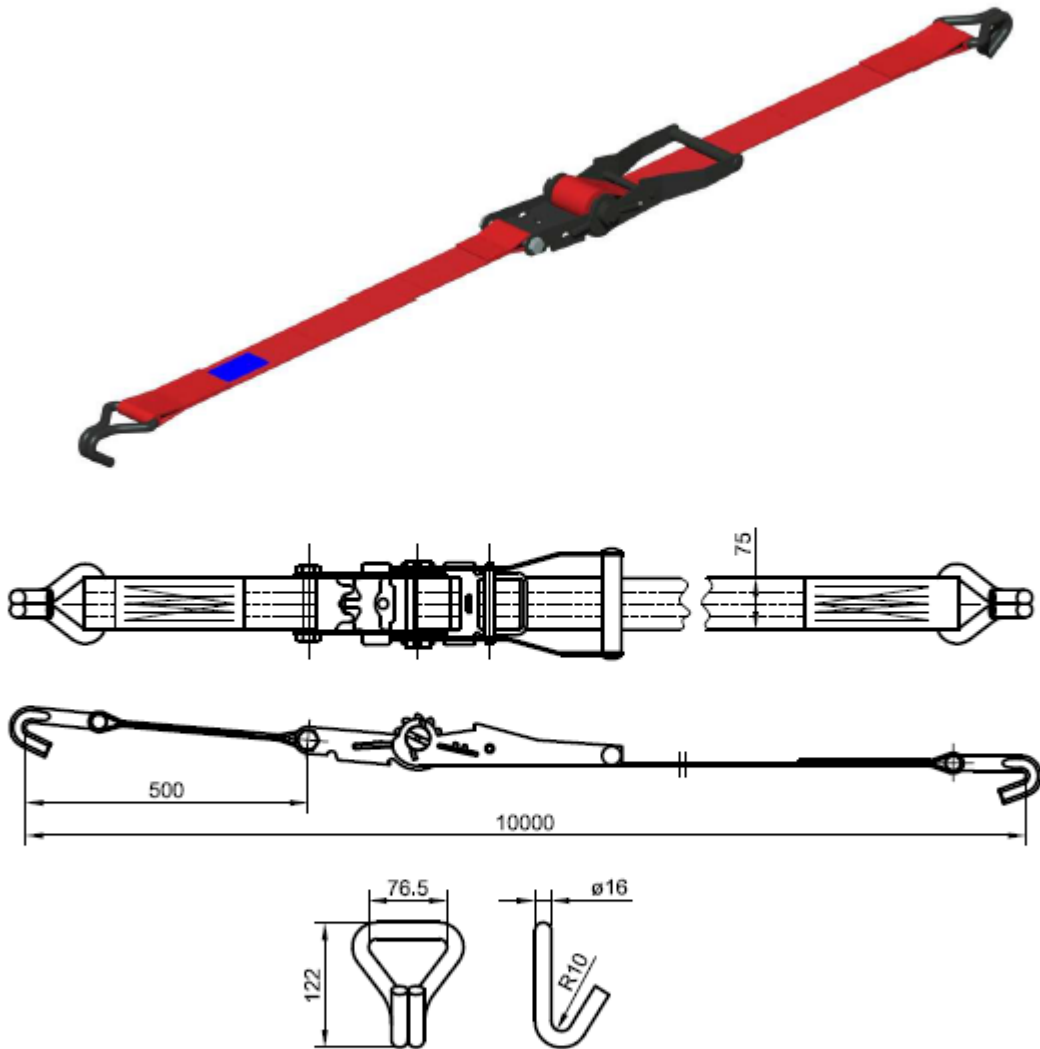
Min. BL:	10.000 daN
MSL:	5.000 daN
Length:	15,0 m
Web Width:	75 mm
Material:	Polyester / Steel
Color:	Orange
Weight:	9,5 kg

MEC[®]
RORO

MEC Container Safety Systems GmbH
Friesenweg 4, Haus 4 - 22763 Hamburg - www.mec-seafastening.com - info@mec-lashing.de

Web Lashing

Type: W-10-10
BL 10.000 daN / MSL 5.000 daN



Scope of Application

For the lashing of heavy duty vehicles on board of RO-RO vessels and ferries.

General Data

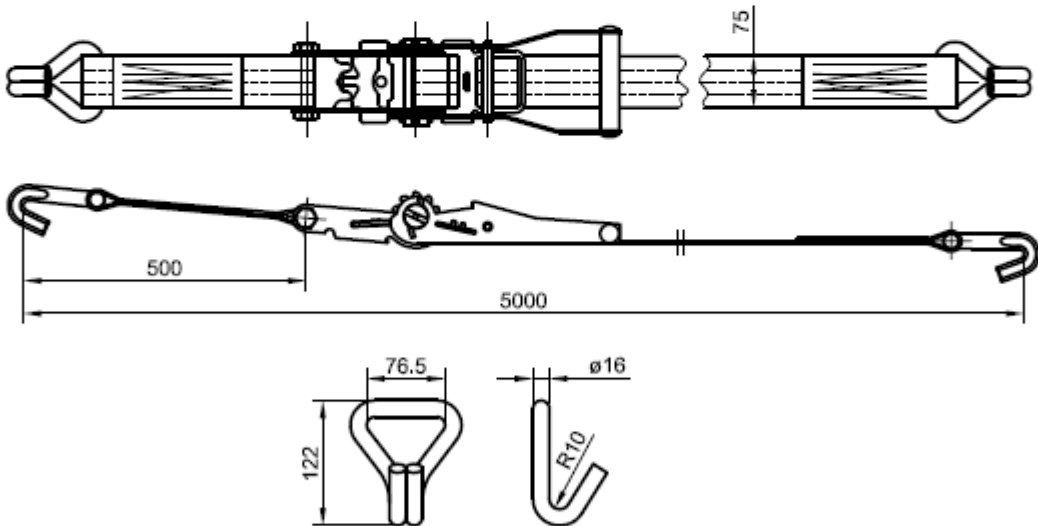
Min. BL:	10.000 daN
MSL:	5.000 daN
Length:	10,0 m
Web Width:	75 mm
Material:	Polyester / Steel
Color:	Orange
Weight:	8,25 kg

MEC[®]
RORO

MEC Container Safety Systems GmbH
Friesenweg 4, Haus 4 - 22763 Hamburg - www.mec-seafastening.com - info@mec-lashing.de

Web Lashing

Type: W-10-5
BL 10.000 daN / MSL 5.000 daN



Scope of Application

For the lashing of heavy duty vehicles on board of RO-RO vessels and ferries.

General Data

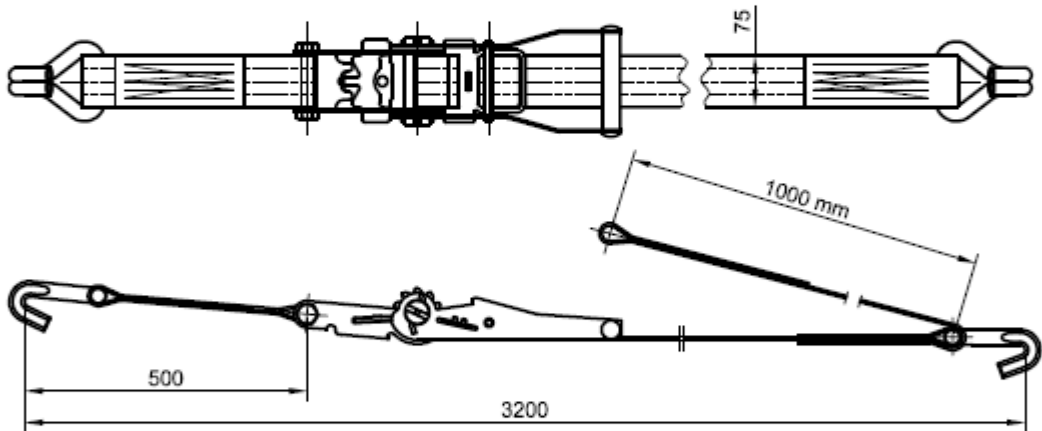
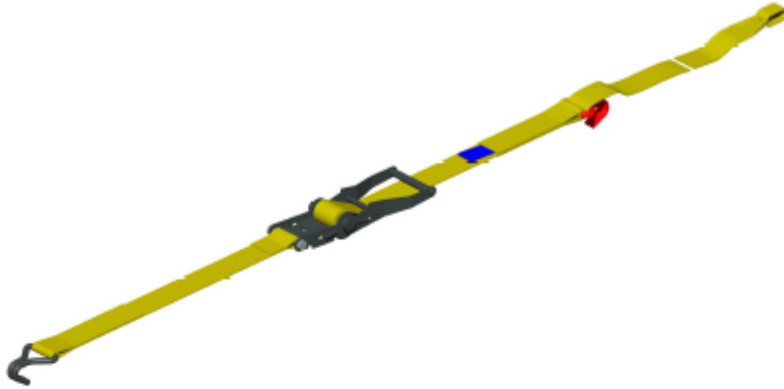
Min. BL: 10.000 daN
MSL: 5.000 daN
Length: 5,0 m
Web Width: 75 mm
Material: Polyester / Steel
Color: Orange
Weight: 7,75 kg



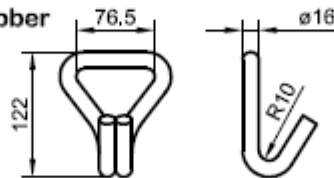
MEC Container Safety Systems GmbH
Friesenweg 4, Haus 4 - 22763 Hamburg - www.mec-seafastening.com - info@mec-lashing.de

Web Lashing with Loop

Type: W-10-3,2-L
BL 10.000 daN / MSL 5.000 daN



Hooks covered with rubber



Scope of Application

For the lashing of vehicles and goods on board of RO-RO vessels and ferries.

General Data

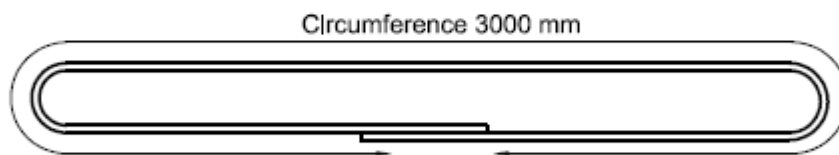
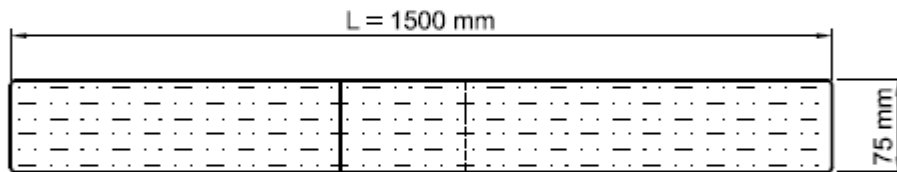
Min. BL: 10.000 daN
MSL: 5.000 daN
Length: 3200 mm
Loop 1.000 mm
Web Width: 75 mm
Material: Polyester / Steel
Color: Yellow
Weight: 2,5 kg

MEC
RORO

MEC Container Safety Systems GmbH
Friesenweg 4, Haus 4 - 22763 Hamburg - www.mec-seafastening.com - info@mec-lashing.de

Truck Sling

Type: SL-10-1,5
BL 100 kN / MSL 50 kN



Scope of Application

For extension of web-lashings.

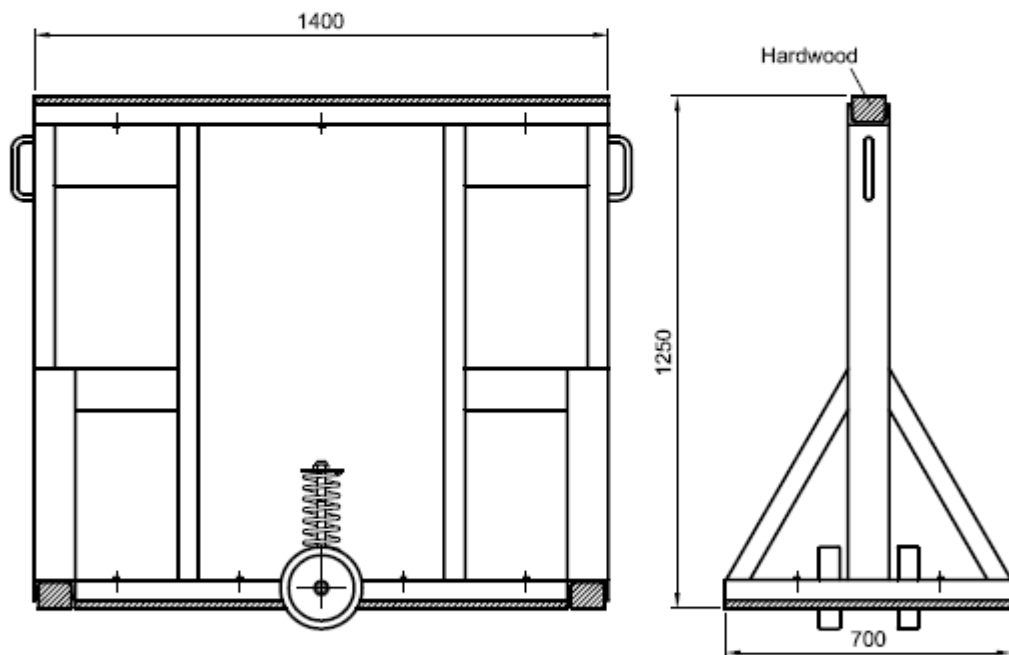
General Data

Min. BL:	100 kN
MSL:	50 kN
Length:	1.500 mm
Web Width:	75 mm
Material:	Polyester
Color:	Blue
Weight:	0,35 kg



Trailer Horse

Type: B11.2-8
BL 1.000 kN / MSL 500 kN



Scope of Application

For supporting of trailers.

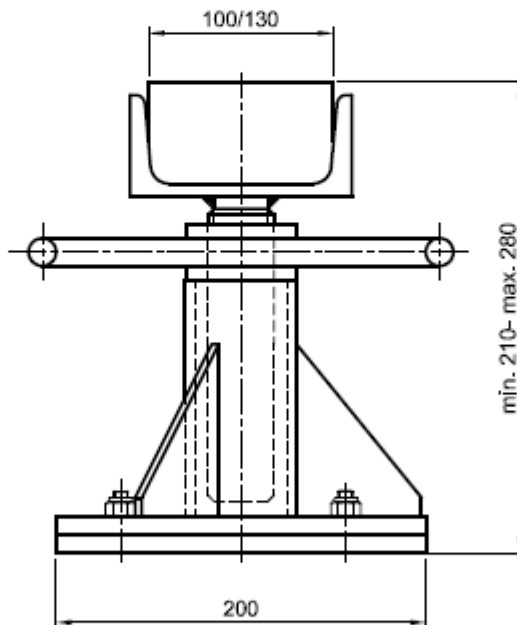
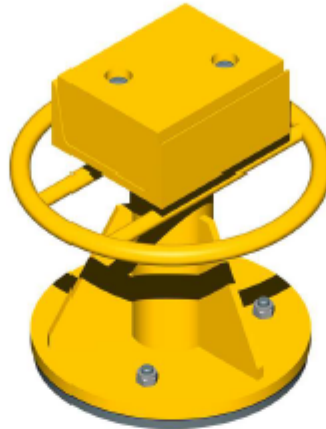
General Data

Min. BL: 1.000 kN
MSL: 500 kN
Dimension: 1400x1250x700 mm
Material: Steel / Wood
Color: Orange
Weight: 143,0 kg



Low Loader Jack

Type: B11.2-62
BL 500 kN / MSL 250 kN



Scope of Application

For supporting of low trailer.

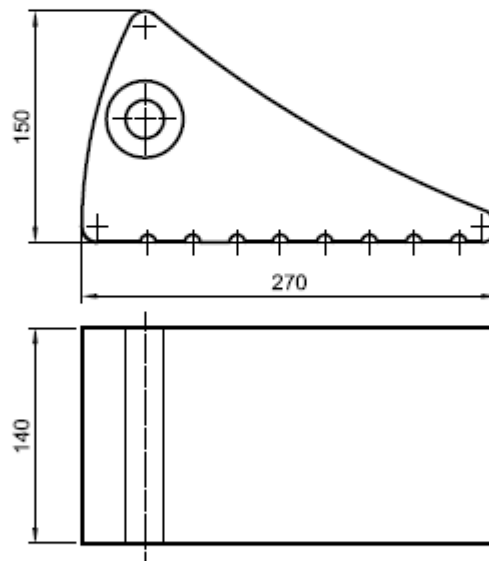
General Data

Min. BL:	500 kN
MSL:	250 kN
Length:	210 - 280 mm
Material:	Steel / Wood
Color:	Yellow
Weight:	11,0 kg



Trailer Chock

Type: B11.3-4



Scope of Application

To secure the tires of trailers and trucks.

General Data

Dimension: 270x140x150 mm

Material: Rubber

Color: Black

Weight: 6,0 kg



MEC Container Safety Systems GmbH
Friesenweg 4, Haus 4 - 22763 Hamburg - www.mec-seafastening.com - info@mec-lashing.de